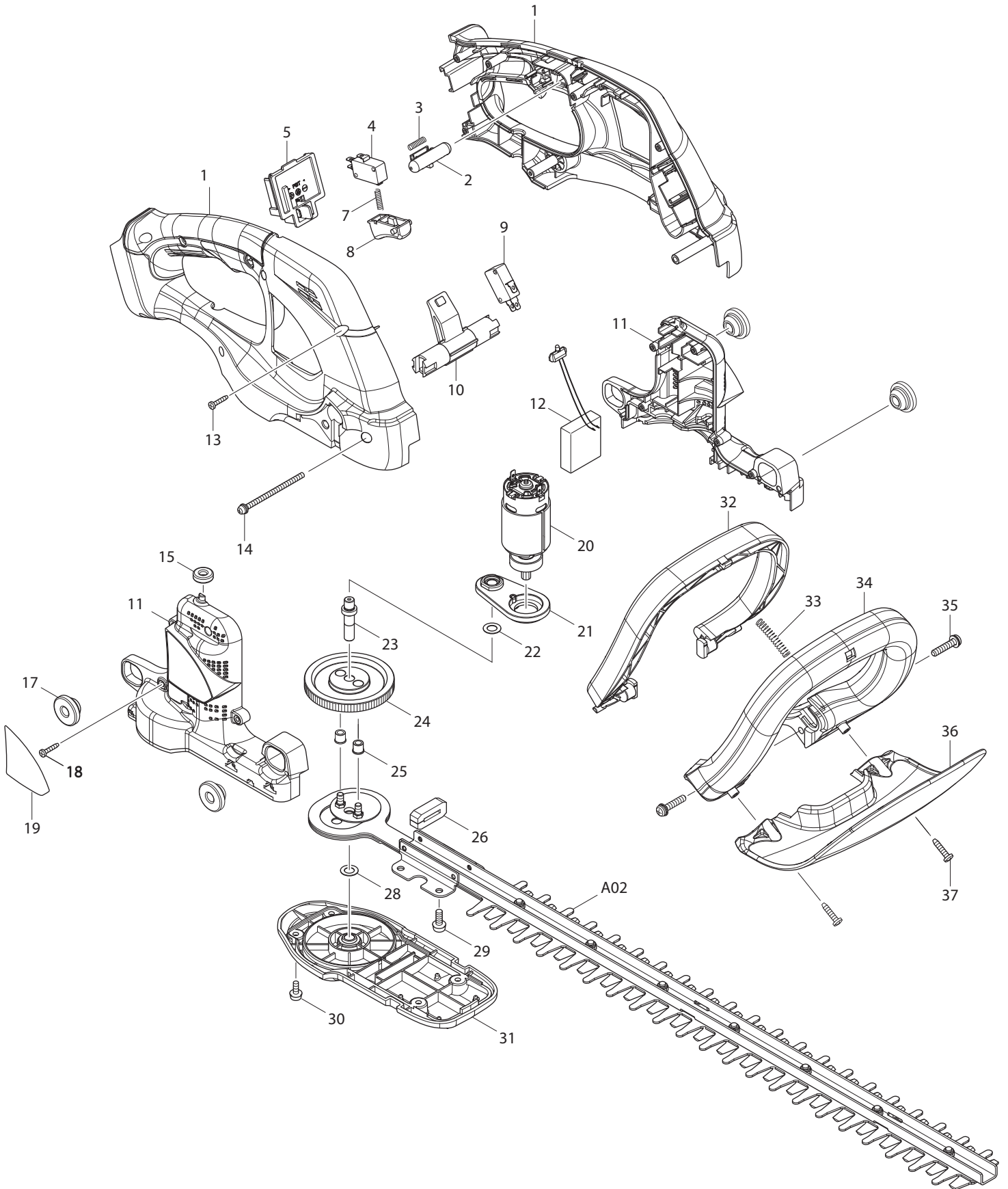




02 - 2012
LXHU02Z
18V 22" HEDGE TRIMMER



Item No.	Type	Sub	Part No.	Description	Qty	Unit
1			187286-4	HANDLE SET	1	PC.
		INC.		Item No. 6		
2			452438-9	LOCK OFF BUTTON	1	PC.
3			231473-8	COMPRESSION SPRING 4	1	PC.
4			651852-8	SWITCH V-15-1A5, SINGLE	1	PC.
5			643852-2	TERMINAL	1	PC.
7			231473-8	COMPRESSION SPRING 4	1	PC.
8			417564-1	SWITCH LEVER	1	PC.
9			651852-8	SWITCH V-15-1A5, SINGLE	1	PC.
10			452681-0	SWITCH ARM	1	PC.
11			187285-6	MOTOR HOUSING SET	1	PC.
		INC.		Item No. 16		
12	1		638967-8	CONTROLLER UNIT	1	PC.
	2		632A82-6	CONTROLLER UNIT	1	PC.
13			266429-2	TAPPING SCREW 3X16	6	PC.
14			911193-7	PAN HEAD SCREW M4X65	1	PC.
15			424195-9	RUBBER RING 6	1	PC.
17			424394-3	RUBBER RING 8	4	PC.
18			266429-2	TAPPING SCREW 3X16	5	PC.
19			896848-4	NAME PLATE F/LXHU02	1	PC.
20			629930-2	DC MOTOR	1	PC.
21			141211-9	BEARING BOX COMPLETE	1	PC.
22			253215-0	FLAT WASHER 8	1	PC.
23			326034-8	SPINDLE	1	PC.
24			227281-3	SPUR GEAR 93	1	PC.
25			262570-9	NYLON SLEEVE 5	2	PC.
26			423417-4	DUST GUARD	1	PC.
28			253215-0	FLAT WASHER 8	1	PC.
29			911218-7	PAN HEAD SCREW M5X14	4	PC.
30			911113-1	PAN HEAD SCREW M4X10	4	PC.
31			453317-4	UNDER COVER	1	PC.
32			452678-9	SWITCH LEVER B	1	PC.
33			234261-2	COMPLESSION SPRING 5	1	PC.
34			452682-8	FRONT GRIP	1	PC.
35			911243-8	PAN HEAD SCREW M5X25	2	PC.
36			141428-4	PROTECTOR COMPLETE	1	PC.
		INC.	890905-0	CAUTION LABEL FR/SP	1	PC.
		INC.	890906-8	CAUTION LABEL EN	1	PC.
37			265995-6	TAPPING SCREW 4X18	2	PC.
C01			873046-7	CARTON F/LXHU02Z	1	PC.
D01			654069-2	RECEPTACLE	1	PC.
D02			654079-9	INSULATED RECEPTACLE DF1.25	2	PC.
D03			654208-4	RECEPTACLE	1	PC.
ACCESSORIES			- See catalogue or visit www.makita.ca for more optional accessories -			
A01			453723-3	BLADE COVER	1	PC.
A02			195846-8	SHEAR BLADE COMPLETE SET	1	PC.
		INC.	188605-7	OIL VESSEL SET, GREASE NA NO.2, 3G	1	PC.
		INC.	262570-9	NYLON SLEEVE 5	2	PC.
A03			195050-9	CHIP RECEIVER ASSEMBLY SET	1	PC.
A04			194309-1	18V LI-ION BATTERY BL1815	1	PC.
			194428-3	18V LI-ION BATTERY BL1815 2PK	1	PK
			194604-9	18V LI-ION BATTERY BL1815 10PK	1	PK
			194205-3	18V LI-ION BATTERY BL1830	1	PC.
			194230-4	18V LI-ION BATTERY BL1830 2PK	1	PK
			194288-3	18V LI-ION BATTERY BL1830 10PK	1	PK
A05	1		DC18RA	CHARGER DC18RA	1	PC.
	2		DC18RC	CHARGER DC18RC	1	PC.
			DC18SD	CHARGER DC18SD	1	PC.
			DC18SE	AUTOMOTIVE CHARGER DC18SE	1	PC.
			DC24SC	CHARGER DC24SC	1	PC.